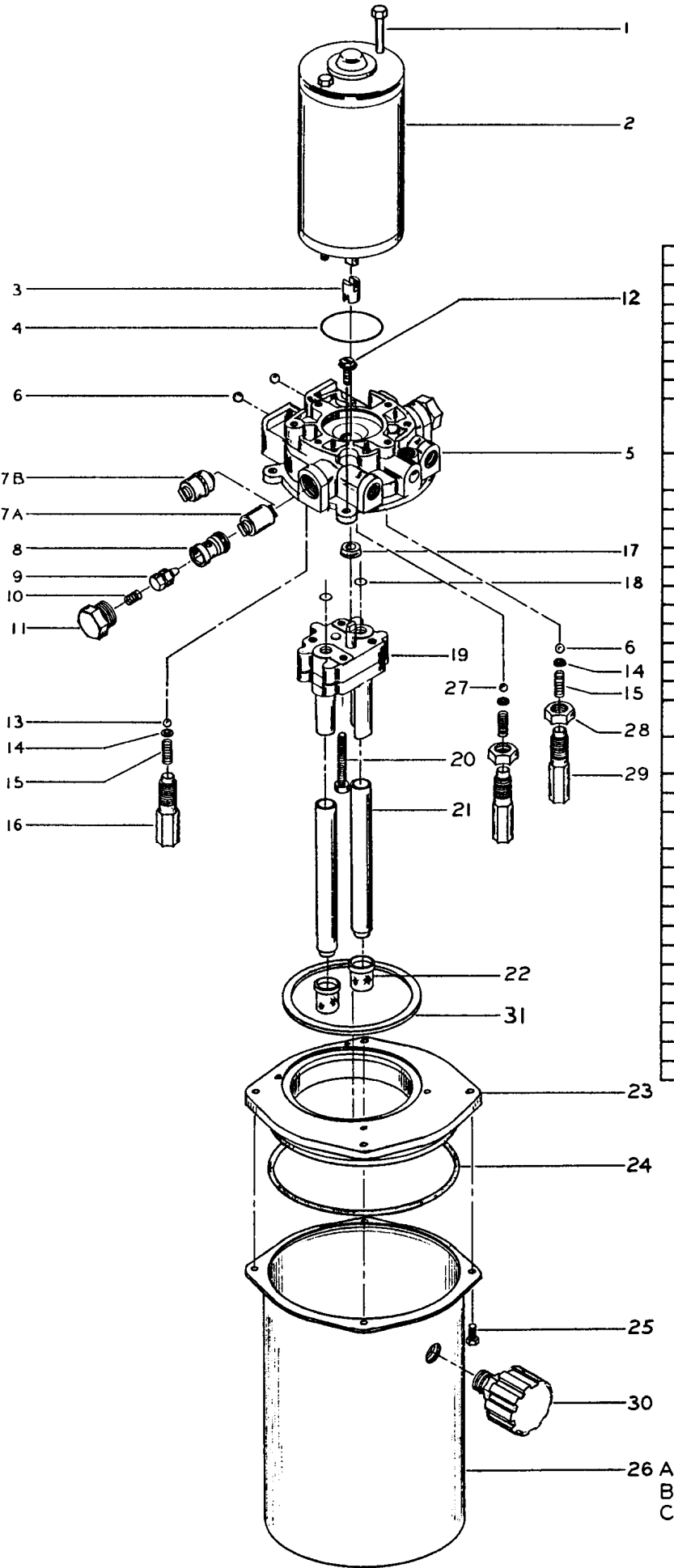


# 108 SERIES POWER UNIT

Reversible Locking,  
Vertical Mount  
H, I, & J Reservoirs shown

## GENERIC EXPLODED VIEW AND PARTS LIST



ITEM #	PART #	DESCRIPTION	QUANT.
1	*	Motor Mounting Stud	2
2	*	Motor	1
3	361183	Coupling	1
4	405673	O-Ring (132-70)	1
5	*	Adapter	1
6	401065	1/4 Steel Ball	3
7A	361181	Spool (Use With .327 Rev. Pump)	1
7B	774022	Spool (Use With .100 & .190 Rev. Pumps And All S. Dir. Pumps, Includes #404581 O-Ring 013-70)	1
8	773763	Check Valve Body (Includes #406484 O-Ring 014-90)	2
9	773776	Poppet Assembly	2
10	410462	Spring	2
11	773764	Hex Plug Retainer	2
12	412167	#8-18 x 1/2 Self Tapping Screw	4
13	411167	3/16 Vespel Ball	2
14	411173	Eyelet	4
15	411170	Spring	4
16	**	Thermal Relief Adjust. Screw	2
17	410512	Shaft Seal	1
18	405387	O-Ring (009-70)	2
19	*	Basic Pump	1
20A	410465	#10-32 UNF x 1 5/16 Torx Hd. (Use With .100 & .190 Pumps)	2
20B	410601	#10-32 UNF x 1 7/16 Torx Hd. (Use With .327 Pump)	2
21A	364408	Suction Tube Extension For 1/2 Gal. (H) Res.	2
21B	364488	Suction Tube Extension For 1 Gal. (I) Res.	2
21C	364489	Suction Tube Extension For 1-1/2 Gal. (J) Res.	2
22	410521	Filter	2
23	412091	Adapter Plate	1
24	410526	O-Ring (252-70)	1
25	412168	#10-16 x 3/8 Self Tapping Screw	4
26A	361511	Reservoir (H) 1/2 Gal.	1
26B	361512	Reservoir (I) 1 Gal.	1
26C	361513	Reservoir (J) 1-1/2 Gal.	1
27	401072	3/16 Steel Ball	1
28	410288	7/16-20 Hex Jam Nut	2
29	363119	Relief Valve Adjust. Screw	2
30	410586	Breather/Filler	1
31	410578	Reservoir Seal	1

634412 Seal Kit (Single Direction & Reversible)

\* Please Specify Code Description Of The Power Unit When Ordering These Items.  
\*\* Please Specify Relief Valve Settings When Ordering These Items.